

1

2

3

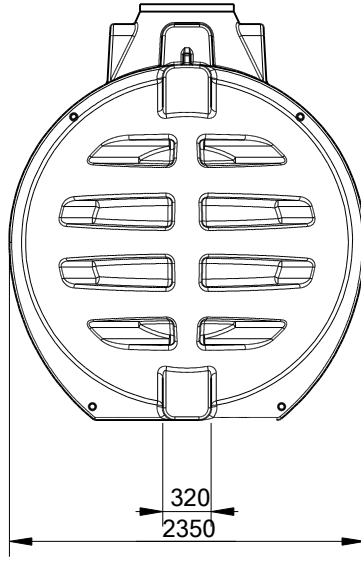
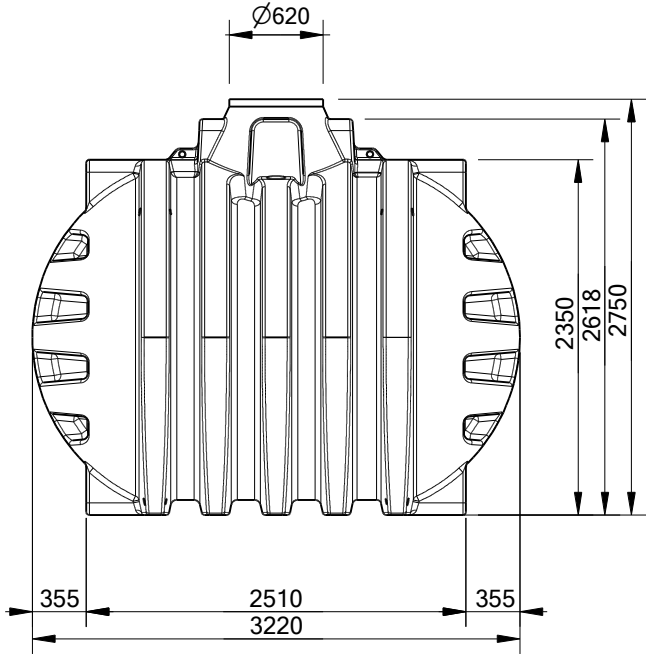
4

5

6

RevNo	Revision note		Date	Signature	Checked
-------	---------------	--	------	-----------	---------

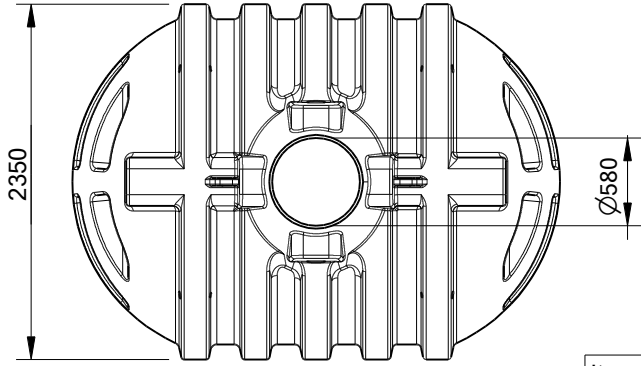
A



B



C



D

Itemref	Quantity	Title/Name, designation, material, dimension etc		LLDPE	Article No./Reference	
Drawn by Ing. Jan Burian		Checked by	Approved by - date		File name	Date 04.01.2022
ND 10 000 ltr.			ABPLAST s.r.o. Pohodlí			
					Edition	Sheet 1 OF 1

1

2

3

4

5

6